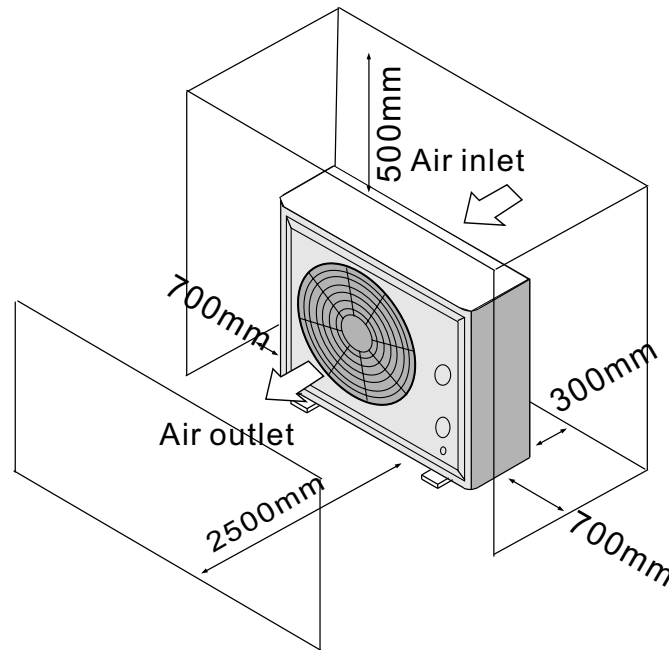
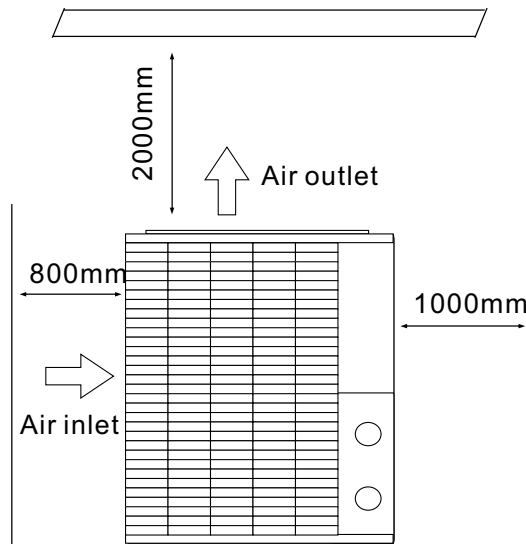

CLEARANCES

Models Oasis C8, C10, C17, C21 and C25's



Models Oasis C35S-U, Oasis C50S-U

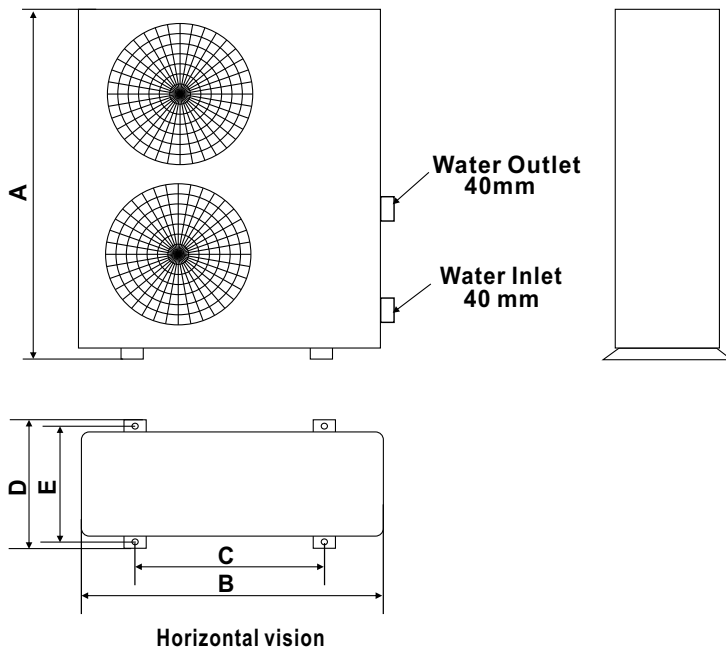


CLEARANCES



Unit mm

SIZE \ TYPE	Oasis C21	Oasis C25	Oasis C25S
A	1240	1240	1240
B	1120	1120	1120
C	880	880	880
D	470	470	470
E	440	440	440

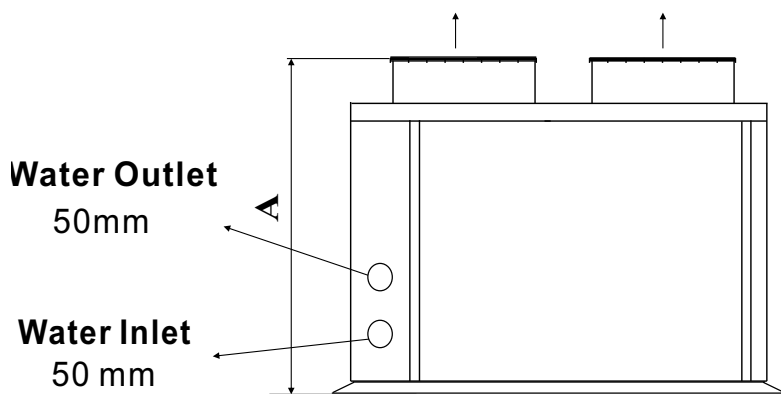


CLEARANCES

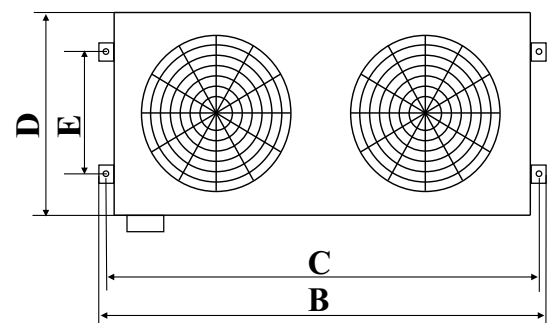


Unit mm

SIZE \ TYPE	Oasis C35S-U	Oasis C50S-U
A	976	976
B	1470	1470
C	1448	1448
D	725	725
E	516	516



Horizontal vision



Vertical vision